

User Manual

UW-24

PRO DVX

PRO DVX | ALWAYS ON



Content

Important Notices..... 2

Package Contents 3

Introducing the UW-24 4

Exterior Components..... 4

Installation Instructions 5

Important Notices

Copyright Information

All intellectual property rights in this publication are owned by and protected by applicable copyright laws and international treaty provisions. Retains all rights not expressly granted. No part of this publication may be reproduced in any form whatsoever or used to make any derivative work without prior written approval by approval by.

Reserves the right to revise this publication, and/or make improvements or changes in the product(s) and/or the program(s) described in this documentation at any time without prior notice. The information in this document is provided in good faith, but without any representation or warranty whatsoever, whether it is accurate, or complete or otherwise, and on express understanding that shall have no liability whatsoever to other parties in any way arising from or relating to the information or its use.

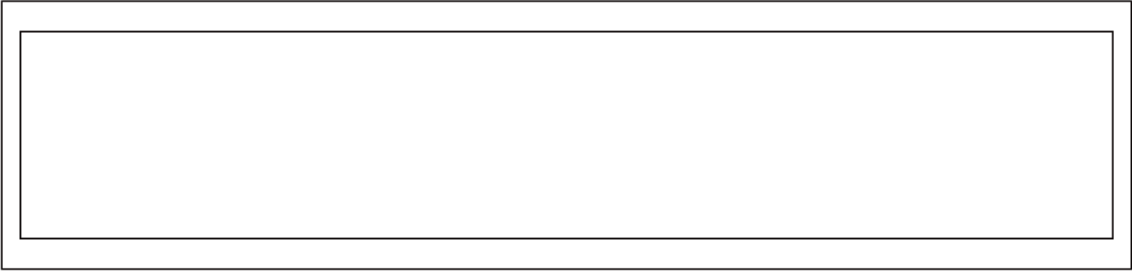
All other trademarks are the property of their respective owners. Other company and brand products and service names are trademarks or registered trademarks of their respective holders.

This device complies with CE and FCC regulations.

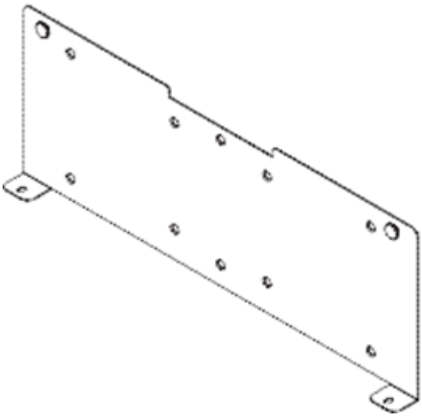


- ✓ Do not expose this product to moisture or place any objects filled with liquids on or near the product.
- ✓ Do not push objects into holes and ventilation slots.
- ✓ Do not place a naked flame source, such as lighted candles, on or near this product.
- ✓ Do not store or operate the device in environments where the temperature is above 50 degrees Celsius or below -10 degrees Celsius.
- ✓ Do not intentionally hit the device or place heavy or sharp objects on the device. Only use accessories specified by the manufacturer.
- ✓ Keep the device away from benzene, diluents, and other chemicals.
- ✓ Do not attempt to repair this product yourself. Always use a qualified service agent to perform adjustments or repairs.

Package Contents



UltraWide Signage Display UW-24



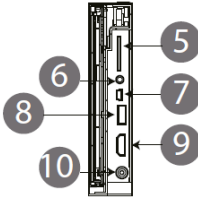
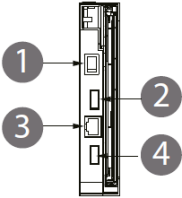
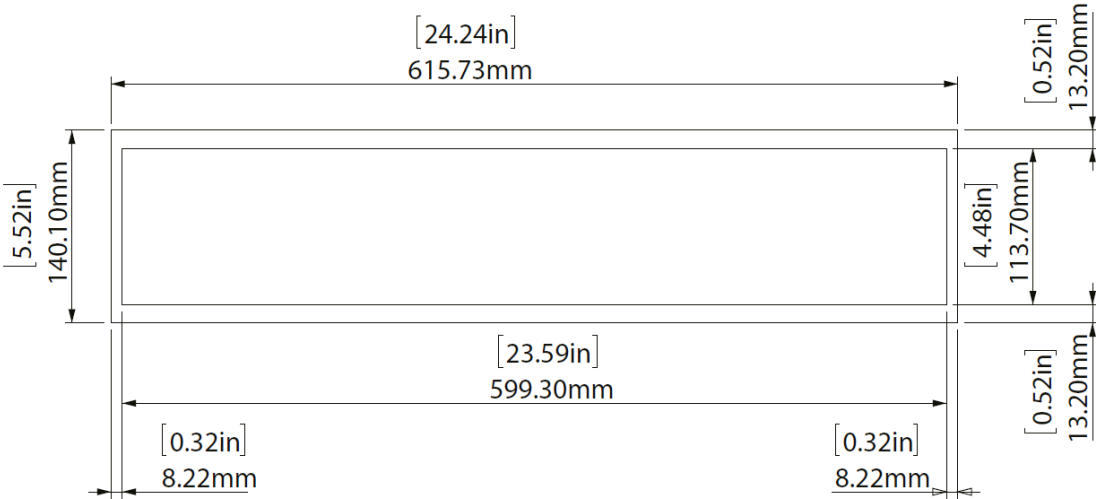
24" Wallmount Bracket

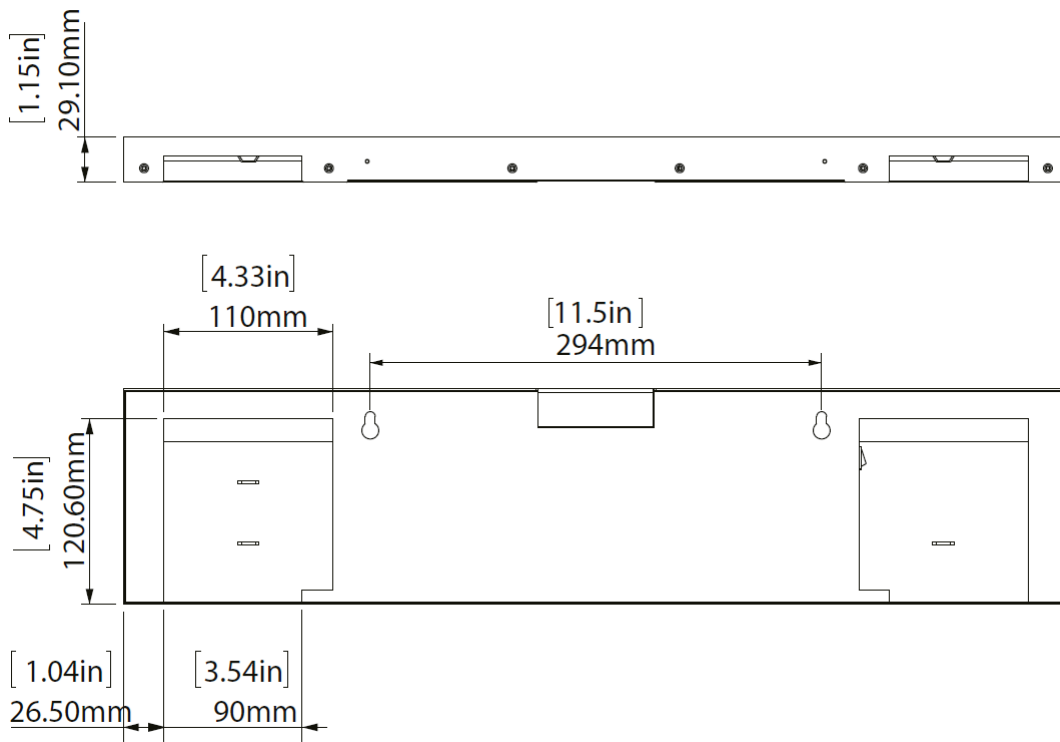
- *In Line PowerSupply
- *Screws
- *Wall Plug

Introducing the UW-24

- Quad Core Cortex A17,1.8G, RK3288
- 24" Resolution: 1920 x 360, Luminance 300 cd/m2, IPS LCD Panel
- Android 6
- RAM 2 GB/Internal memory 16GB
- RJ45 Ethernet
- Wi-Fi 802.11b/g/n
- Bluetooth 4.0
- USB2.0 Host/ Mini USB OTG
- SD/MMC card slot/3.5mm earphone jack
- HDMI output

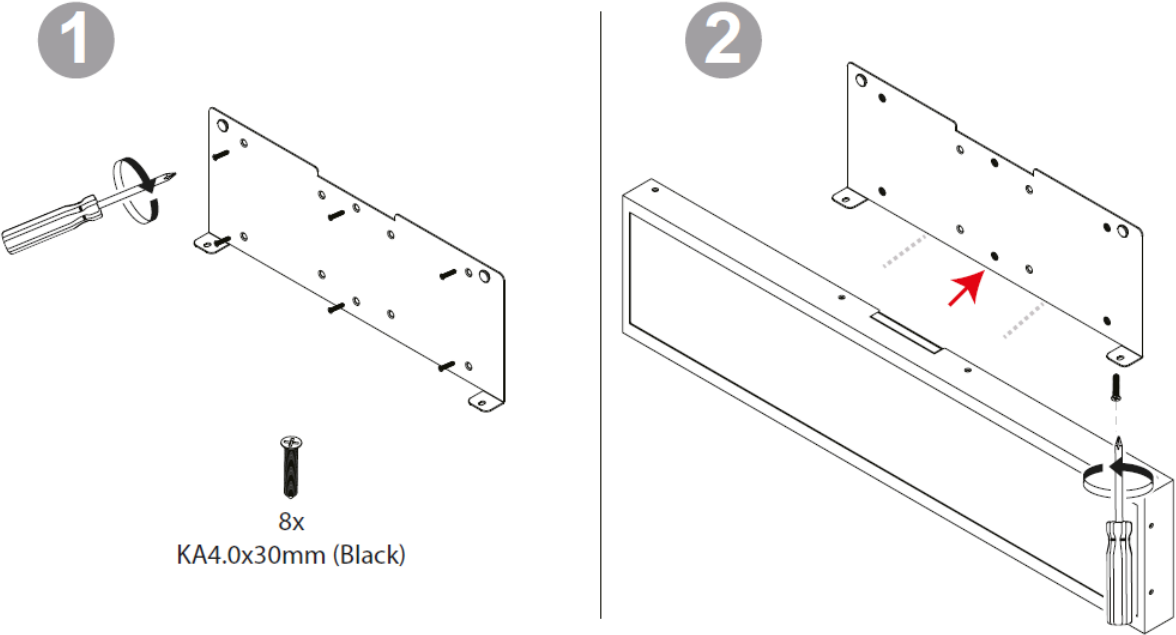
Exterior Components





No	Function	No	Function
1	ON/OFF	6	3.5mm audio jack
2	USB 2.0 host	7	Mini USB OTG
3	Ethernet/RJ45	8	USB 2.0 host
4	USB 2.0 host	9	HDMI output
5	SD Card slot	10	DC in

Installation Instructions



This symbol on the product or in the instructions means that your electrical and electronic equipment should be disposed of at the end of its life separately from your household waste. There are separate collection systems for recycling in your country. For more information, please contact the local authority or your retailer where you purchased the product.

